

AR 10.928.010L Accelerometer



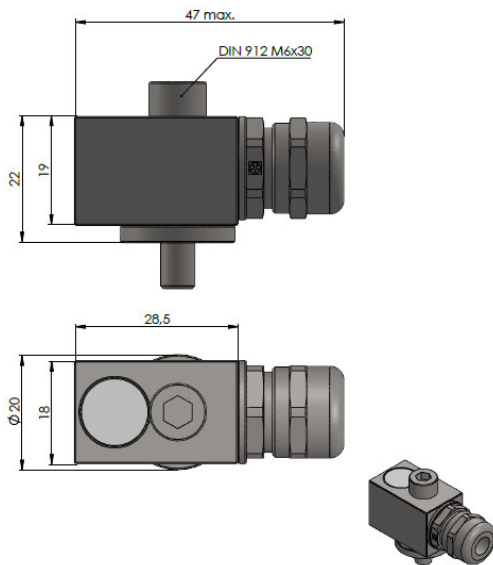
- accelerometer for vibration and roller bearing condition measurements in 1 axis
- heavy duty design for use in harsh environments, such as in contact with cooling liquid
- integral cable for protection against moisture
- PUR cable isolation
- 2-wire cable with separate shield
- stainless steel-body

Specification:

Sensor Type	piezoelectric accelerometer (PZT/Shear)
Sensitivity	10 mV/g +/-10%
Resolution	0,01 g
Acceleration Range	max. 500 g
Shock Limit	max. 5000 g
Frequency Range	0,5 - 10.000 Hz +/-3 dB (5.000 - 50.000 Hz for Spike-Energy-Measurement)
Resonant Frequency, Mounted	> 25 kHz
Power Requirements (IEPE)	Constant current 2 -10 mA; +18 to 28 V DC for each axis
Temperature Range	-40...+120°C (Cable: -40...+70°C)
Housing Material	stainless steel
Dimensions	see drawing
Mounting	1 Screw M6
Weight	approx. 80 gramms (without cable)
Shipping Weight	approx. 200 gramms (with 1 m cable)
Cable	2-wire, shielded, PUR isolation, wire dimension 0,25 mm ² outer diameter approx. 4,5 mm
Order No. / Standard-Cable Length	AR 10.928.010.L / approx 1 meter, cable end connector Lemo 1T304 (Male)

AR 10.928.010L Accelerometer

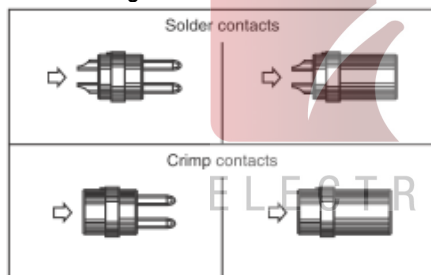
Dimensions:



Pin Assignment:

Lemo Type 1T304:

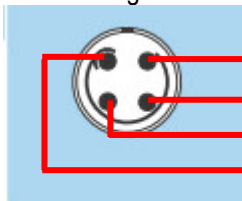
Stecker/Plug Buchse/Socket



Ansicht von Kabelseite!

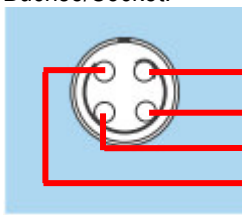
View from cable side

Stecker/Plug:



Nicht belegt / not connected
 Nicht belegt / not connected
 Signal Z (weiss / white)
 Masse / Ground (braun / brown)
 Schirm auf Steckergehäuse
 Shield connected to plug housing

Buchse/Socket:



Masse / Ground (braun / brown)
 Signal Z (weiss / white)
 Nicht belegt / not connected
 Nicht belegt / not connected
 Schirm auf Steckergehäuse
 Shield connected to plug housing

Scope of Delivery:

sensor with mounted connector
 mounting screw M6
 stainless steel washer
 spec sheet
 calibration protocol

IBIS GmbH

Werner-von-Siemens-Str. 21
 64319 Pfungstadt

Tel: (0)6157-949-370
 Fax: (0)6157-949-100

www.ibis-gmbh.de
 info@ibis-gmbh.de