

AR 100.928 Accelerometer

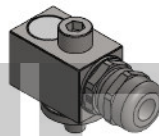
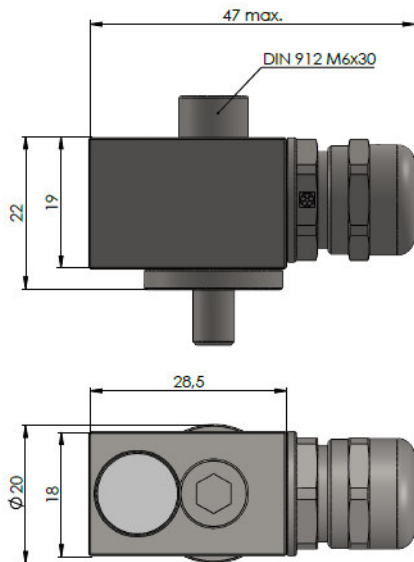


- accelerometer for vibration and bearing condition measurements
- Heavy-Duty-Version for harsh environment
- fix installed robust cable, PUR-coated
- 2-wire-cable with separate shield
- stainless steel housing
- thru-hole for easy mounting with 1 screw

Technical Specifications:

Sensor Type	piezoelectric accelerometer (PZT/Shear)
Sensitivity	100 mV/g +/-10%
Resolution	0,001 g
Amplitude Range	max.50 g
Shock Resistance	max 5000 g
Frequency Response	0,5 - 10.000 Hz +/-3 dB (5.000 - 50.000 Hz for spike-energy-measurement)
Resonance Frequency	> 25 kHz
Power Supply	constant current 2 -10 mA; +18 to 28 V DC
Temperature Range	-40...+120°C (cable: -40...+70°C)
Housing	stainless steel, hard chrome plated
Dimensions	according to attached drawing
Mounting	with 1 screw M5 or M6
Weight	ca. 40 gramm (without cable)
Shipping Weight	ca. 100 g (with 2,5m cable)
Connection Cable	2-wire, each 0,25 mm ² , shielded, PUR coated, cable diameter ca. 4,6 mm
Ord.-No. / Cable Lengths / Cable End	AR100.928.025: ca. 2,5m, open cable end AR100.928.050: ca. 5m, open cable end AR100.928.100: ca. 10m, open cable end AR100.928.025XLR: 2,5m, cable end: connector XLR/5 AR100.928.050XLR: 5,0m, cable end: connector XLR/5 AR100.928.100XLR: 10m, cable end: connector XLR/5 (other cable lengths / connectors on request)

Dimensions:



Cable Wiring:

white Signal
brown Ground
shield isolated from housing

ELECTRO-PRODUCTS CORP.

Option: cable end with connector XLR/5



Connector Wiring:

Pin 1:	-	
Pin 2:	-	
Pin 3:	white	signal
Pin 4:	brown	ground
Pin 5:		shield

IBIS GmbH

Werner-von-Siemens-Str. 21
64319 Pfungstadt

Tel: (0)6157-949-370
Fax: (0)6157-949-100

www.ibis-gmbh.de
info@ibis-gmbh.de