

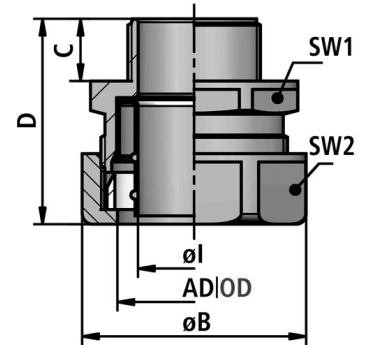
**USK-P | PG thread****Connectors**

Plastic connector, straight, PG outer thread, incl. ferrule and sealing

<b>Temperature:</b>	-10°C ... +110°C
<b>Material:</b>	PP plastics
<b>IP class [acc. to EN 60529]:</b>	IP 54
<b>for protective conduit:</b>	AIRflex-KUW-PVC-AS / AIRflex-KUW-PU-AS / AIRflex-K / AIRflex-GRS

**CHARACTERISTICS:**

- Properties: high dust- and waterproof
- friction-type locking of conduit and screw connector
- vibration and tension-proof

**APPLICATIONS:**

- Application: machine and plant constructions / automation / electrical installations



**IBIS**  
ELECTRO-PRODUCTS CORP.

FLEXA No.	OD [mm]	Colour	Thread type	ø1 [mm]	øB [mm]	C [mm]	D [mm]	WS1 [mm]	WS2 [mm]	Weight [kg/100]	PU [pcs.]
15020130007	10,0	Grey	PG7	6,0	20,0	10,0	40,0	16	18	0,350	50
15020130009	14,0	Grey	PG9	9,0	25,0	10,0	41,0	21	23	0,640	50
15020130011	17,0	Grey	PG11	11,0	30,0	10,0	41,0	24	27	0,860	50
15020130013	19,0	Grey	PG13,5	13,0	32,0	10,0	41,0	26	29	0,980	50
15020130016	21,0	Grey	PG16	14,5	35,0	11,0	42,0	29	32	1,180	50
15020130021	27,0	Grey	PG21	19,5	44,0	11,0	48,0	36	40	2,240	25
15020130029	36,0	Grey	PG29	27,0	54,0	12,0	48,0	45	49	3,120	25
15020130036	45,0	Grey	PG36	36,0	63,0	12,0	48,0	36	63	4,040	25
15020130048	56,0	Grey	PG48	46,0	77,0	15,0	57,0	65	70	6,300	10
15020430007	10,0	Grey	PG7	6,0	20,0	10,0	40,0	16	18	0,350	10
15020430009	14,0	Grey	PG9	9,0	25,0	10,0	41,0	21	23	0,640	10
15020430011	17,0	Grey	PG11	11,0	30,0	10,0	41,0	24	27	0,860	10
15020430013	19,0	Grey	PG13,5	13,0	32,0	10,0	41,0	26	29	0,980	10
15020430016	21,0	Grey	PG16	14,5	35,0	11,0	42,0	29	32	1,180	10
15020430021	27,0	Grey	PG21	19,5	44,0	11,0	48,0	36	40	2,240	10
15020430029	36,0	Grey	PG29	27,0	54,0	12,0	48,0	45	49	3,120	2
15020430036	45,0	Grey	PG36	36,0	63,0	12,0	48,0	53	58	4,040	2
15020430048	56,0	Grey	PG48	46,0	77,0	15,0	57,0	65	70	6,300	2

Recommendations for any areas of applications, products, or product combinations are issued to the best of FLEXA's knowledge and experience. The user is requested to check applicability of FLEXA products to specific applications and purposes prior to the use of the particular products. All documentation, illustrations, and charts published are subject to copyright and must not be copied, changed, used, or modified. Technical drawings, certificates, authorizations, and results by the FLEXA lab will be provided upon request. FLEXA will not be held liable for typographical or other errors and incorrect drawings. Technical modifications are subject to change without prior notice.