

USD-P | PG thread

Connectors

EMC metal connector, straight, PG outer thread, incl. ferrule [brass] and O-Ring [NBR]

Temperature: -40°C ... +125°C

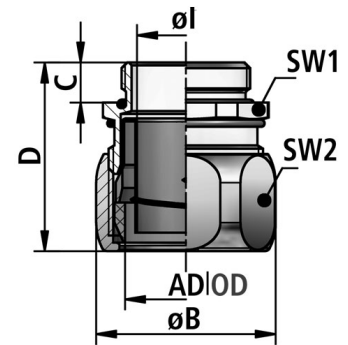
Material: nickel-plated brass

IP class [acc. to EN 60529]: IP 67

for protective conduit: FLEXAgraft-CU-PU

CHARACTERISTICS:

- Properties: highly watertight and dust proof
- correct grounding
- covering of the conduit ends
- vibrationproof and tensionproof
- liquid tight
- emc connector due to longer pressure nut



APPLICATIONS:

- Application: machine and plant constructions / automotive / shipbuilding / automation / electrical installations / EMC application



FLEXA No.	OD [mm]	Thread type	Conduit ID	Conduit OD	ø I [mm]	ø B [mm]	C [mm]	D [mm]	WS1 [mm]	WS2 [mm]	Weight [kg/100]	PU [pcs.]
15015127009	14,0	PG9	11,0	15,0	10,0	23,0	7,0	30,0	19	21	2,800	10
15015128011	17,0	PG11	13,0	18,0	11,5	27,0	7,0	30,0	23	25	3,700	10
15015128016	21,0	PG16	17,0	22,0	15,5	31,0	7,0	30,0	27	29	4,800	10
15015140021	27,0	PG21	23,0	28,0	21,5	39,0	10,0	41,0	34	36	9,000	10
15015128029	36,0	PG29	29,0	37,0	27,5	48,0	10,0	44,0	43	45	9,700	2
15015128036	45,0	PG36	38,0	46,0	36,5	57,0	10,0	44,0	52	54	20,000	2
15015128048	56,0	PG48	49,0	57,0	48,0	70,0	10,0	48,0	63	66	21,000	2

Recommendations for any areas of applications, products, or product combinations are issued to the best of FLEXA's knowledge and experience. The user is requested to check applicability of FLEXA products to specific applications and purposes prior to the use of the particular products. All documentation, illustrations, and charts published are subject to copyright and must not be copied, changed, used, or modified. Technical drawings, certificates, authorizations, and results by the FLEXA lab will be provided upon request. FLEXA will not be held liable for typographical or other errors and incorrect drawings. Technical modifications are subject to change without prior notice.