

USD-M | metric thread

Connectors

EMC metal connector, straight, metric outer thread, incl. ferrule [brass] and O-Ring [NBR]

Temperature: -40°C ... +125°C

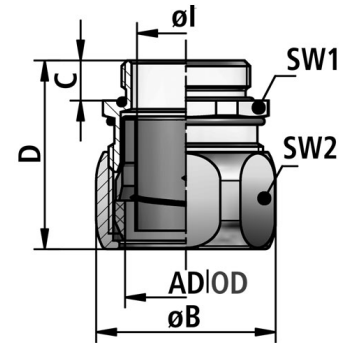
Material: nickel-plated brass

IP class [acc. to EN 60529]: IP 67

for protective conduit: FLEXAgraft-CU-PU

CHARACTERISTICS:

- Properties: highly watertight and dust proof
- correct grounding
- covering of the conduit ends
- vibrationproof and tensionproof
- liquid tight
- emc connector due to longer pressure nut



APPLICATIONS:

- Application: machine and plant constructions / automotive / shipbuilding / automation / electrical installations / EMC application



| FLEXA No. | OD [mm] | Thread type | Conduit ID | Conduit OD | ø I [mm] | ø B [mm] | C [mm] | D [mm] | WS1 [mm] | WS2 [mm] | Weight [kg/100] | PU [pcs.] |
|-------------|---------|-------------|------------|------------|----------|----------|--------|--------|----------|----------|-----------------|-----------|
| 15015327012 | 14,0 | M12 x 1,5 | 11,0 | 15,0 | 9,0 | 23,0 | 10,0 | 33,0 | 19 | 21 | 2,800 | 10 |
| 15015328016 | 17,0 | M16 x 1,5 | 13,0 | 18,0 | 11,5 | 27,0 | 10,0 | 33,0 | 23 | 25 | 3,800 | 10 |
| 15015328020 | 21,0 | M20 x 1,5 | 17,0 | 22,0 | 15,5 | 31,0 | 10,0 | 33,0 | 27 | 29 | 5,000 | 10 |
| 15015340025 | 27,0 | M25 x 1,5 | 23,0 | 28,0 | 20,5 | 39,0 | 11,0 | 42,0 | 34 | 36 | 9,100 | 10 |
| 15015328032 | 36,0 | M32 x 1,5 | 29,0 | 37,0 | 27,5 | 48,0 | 13,0 | 47,0 | 43 | 45 | 10,800 | 2 |
| 15015328040 | 45,0 | M40 x 1,5 | 38,0 | 46,0 | 35,0 | 57,0 | 13,0 | 47,0 | 52 | 54 | 18,600 | 2 |
| 15015328050 | 56,0 | M50 x 1,5 | 49,0 | 57,0 | 45,0 | 70,0 | 14,0 | 52,0 | 63 | 66 | 23,400 | 2 |

Recommendations for any areas of applications, products, or product combinations are issued to the best of FLEXA's knowledge and experience. The user is requested to check applicability of FLEXA products to specific applications and purposes prior to the use of the particular products. All documentation, illustrations, and charts published are subject to copyright and must not be copied, changed, used, or modified. Technical drawings, certificates, authorizations, and results by the FLEXA lab will be provided upon request. FLEXA will not be held liable for typographical or other errors and incorrect drawings. Technical modifications are subject to change without prior notice.