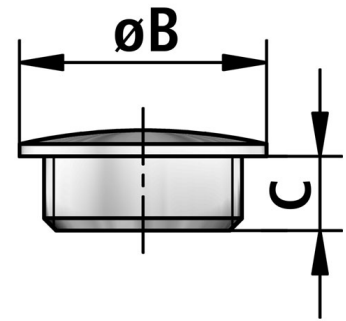


STM-M | metric thread

Accessories

Blind plug for metric threads



Temperature:	-40°C ... +200°C
---------------------	------------------

Material:	nickel-plated brass
------------------	---------------------

CHARACTERISTICS:

- Properties: high stability



FLEXA No.	Thread type	Colour	C [mm]	$\varnothing B$ [mm]	Weight [kg/100]	PU [pcs.]
10550001016	M16x1,5	Other	6,0	20,0	0,500	100
10550001020	M20x1,5	Other	6,5	24,0	1,350	100
10550001025	M25x1,5	Other	7,0	28,0	2,550	100
10550001032	M32x1,5	Other	8,0	35,0	3,720	50
10550001040	M40x1,5	Other	8,0	45,0	2,100	50
10550001050	M50x1,5	Other	9,0	55,0	10,840	25

ELECTRO-PRODUCTS CORP.

Recommendations for any areas of applications, products, or product combinations are issued to the best of FLEXA's knowledge and experience. The user is requested to check applicability of FLEXA products to specific applications and purposes prior to the use of the particular products. All documentation, illustrations, and charts published are subject to copyright and must not be copied, changed, used, or modified. Technical drawings, certificates, authorizations, and results by the FLEXA lab will be provided upon request. FLEXA will not be held liable for typographical or other errors and incorrect drawings. Technical modifications are subject to change without prior notice.