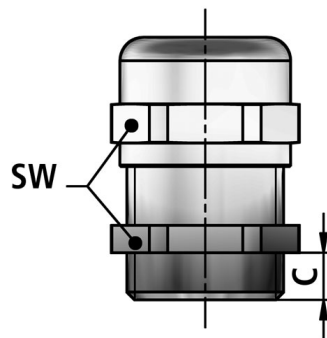


**KSM-M | metric thread**

**Accessories**

Cable gland with metric thread



<b>Temperature:</b>	-20°C ... +100°C ^ +130°C
<b>Material:</b>	nickel-plated brass
<b>IP class [acc. to EN 60529]:</b>	IP 68

**CHARACTERISTICS:**

- Properties: resistant against oil
- high stability



FLEXA No.	Outer thread	Colour	cable-Clamp.range [mm]	C [mm]	WS [mm]	Weight [kg/100]	PU [pcs.]
10522001012	M12x1,5	Other	3-6,0	5,0	14	1,320	100
10522001016	M16x1,5	Other	5-9,0	5,0	17	1,900	100
10522001020	M20x1,5	Other	9-13,0	6,0	22	3,360	100
10522001025	M25x1,5	Other	11-16,0	7,0	27	4,800	50
10522001032	M32x1,5	Other	14-21,0	8,0	34	7,720	25
10522001040	M40x1,5	Other	19-27,0	8,0	43	13,100	10
10522001050	M50x1,5	Other	24-35,0	9,0	55	27,800	5

Recommendations for any areas of applications, products, or product combinations are issued to the best of FLEXA's knowledge and experience. The user is requested to check applicability of FLEXA products to specific applications and purposes prior to the use of the particular products. All documentation, illustrations, and charts published are subject to copyright and must not be copied, changed, used, or modified. Technical drawings, certificates, authorizations, and results by the FLEXA lab will be provided upon request. FLEXA will not be held liable for typographical or other errors and incorrect drawings. Technical modifications are subject to change without prior notice.