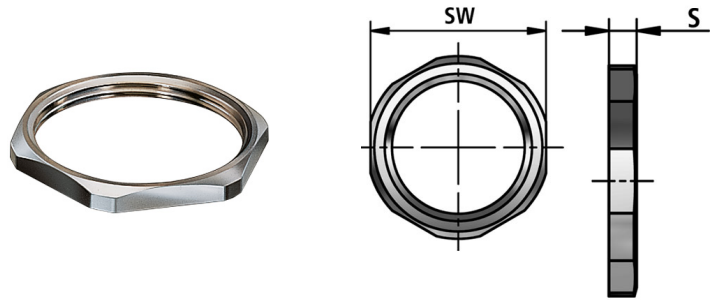


GM-N | C | for NPT | CTG threads

Accessories

Counternut especially for metal NPT | CTG threads



Temperature: -40 °C ... +200°C

Material: nickel-plated brass

for protective conduit: Counternut,

APPLICATIONS:

- Application: Counternut especially for metal threads



FLEXA No.	Thread type	Colour	S [mm]	WS [mm]	Weight [kg/100]	PU [pcs.]
10531000002	NPT 3/8"	Other	3,0	20	0,360	100
10531000003	NPT 1/2"	Other	3,0	24	0,430	100
10531000004	NPT 3/4"	Other	3,5	30	0,740	100
10531000005	NPT 1"	Other	4,0	38	1,540	100
10531000006	NPT 1 1/4"	Other	5,0	46	1,950	100
10531000007	NPT 1 1/2 i"	Other	5,0	51	2,060	100
10531000008	NPT 2"	Other	5,5	64	3,450	50

Recommendations for any areas of applications, products, or product combinations are issued to the best of FLEXA's knowledge and experience. The user is requested to check applicability of FLEXA products to specific applications and purposes prior to the use of the particular products. All documentation, illustrations, and charts published are subject to copyright and must not be copied, changed, used, or modified. Technical drawings, certificates, authorizations, and results by the FLEXA lab will be provided upon request. FLEXA will not be held liable for typographical or other errors and incorrect drawings. Technical modifications are subject to change without prior notice.