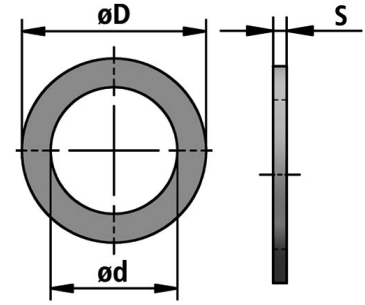


FRH-P | for PG threads

Accessories

Flat-sealing for PG threads, especially for protective rate IP 68 and high mechanical stresses



Temperature: -50°C ... +200°C

Material: centellen

CHARACTERISTICS:

- Properties: resistant against oil
- protection against water and dust
- UV resistant
- free of halogen
- high mechanical stresses



FLEXA No.	Thread type	ø d [mm]	ø D [mm]	S [mm]	Weight [kg/100]	PU [pcs.]
10331001007	PG7	13,0	17,0	2,0	0,034	50
10331001009	PG9	15,7	20,0	2,0	0,043	50
10331001011	PG11	19,1	24,0	2,0	0,060	50
10331001013	PG13,5	20,9	26,0	2,0	0,068	50
10331001016	PG16	23,0	29,0	2,0	0,088	50
10331001021	PG21	28,8	36,0	3,0	0,198	25
10331001029	PG29	37,5	48,0	3,0	0,381	25
10331001036	PG36	47,5	54,0	3,0	0,280	25
10331001048	PG48	59,8	70,0	3,0	0,562	10

Recommendations for any areas of applications, products, or product combinations are issued to the best of FLEXA's knowledge and experience. The user is requested to check applicability of FLEXA products to specific applications and purposes prior to the use of the particular products. All documentation, illustrations, and charts published are subject to copyright and must not be copied, changed, used, or modified. Technical drawings, certificates, authorizations, and results by the FLEXA lab will be provided upon request. FLEXA will not be held liable for typographical or other errors and incorrect drawings. Technical modifications are subject to change without prior notice.