



FDW-VA

Special protective conduits

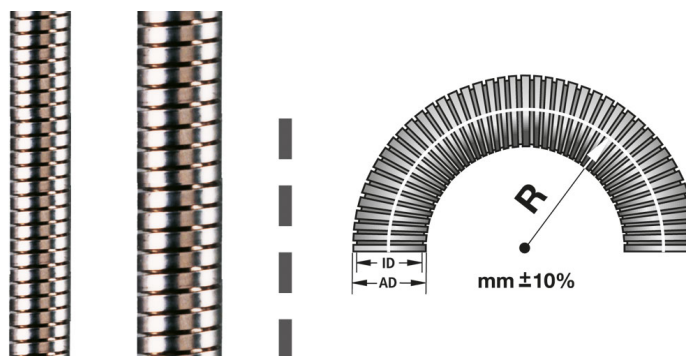
Special protective conduit helix for the medical-, sensor technology and the beam wave guide technology

**Temperature:** -200°C ... +600°C

**Material:** stainless steel

**CHARACTERISTICS:**

- Properties: flexible
- temperature resistant
- widely resistant to solvents and chemicals



**APPLICATIONS:**

- Application: opto-electronics / medical technology / beam wave guide technology / technical endoscopy / measuring instruments / sensor technology



FLEXA No.	Colour	ID [mm]	OD [mm]	BR stat. [mm]	BR dyn. [mm]	Weight [kg/m]	PU [m]
10131801002		2,5	3,1	20	35	0,019	*
10131801003		3,0	3,6	20	50	0,029	*
10131801004		4,0	4,8	25	65	0,037	*
10131801005		5,0	6,0	25	65	0,050	*
10131801006		6,0	7,0	35	90	0,065	*
10131801007		7,0	8,2	45	110	0,088	*
10131801008		8,0	9,6	45	110	0,110	*

\*in production length

Recommendations for any areas of applications, products, or product combinations are issued to the best of FLEXA's knowledge and experience. The user is requested to check applicability of FLEXA products to specific applications and purposes prior to the use of the particular products. All documentation, illustrations, and charts published are subject to copyright and must not be copied, changed, used, or modified. Technical drawings, certificates, authorizations, and results by the FLEXA lab will be provided upon request. FLEXA will not be held liable for typographical or other errors and incorrect drawings. Technical modifications are subject to change without prior notice.