

**USW-M | metric thread**

Metal connector, safety-type, 90° elbow, metric outer thread, incl. ferrule [brass], sealing and O-ring [NBR]

**Temperature:** -40°C ... +125°C

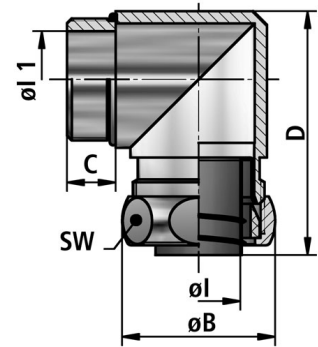
**Material:** nickel-plated brass

**IP class [acc. to EN 60529]:** IP 40

**for protective conduit:** SPR-AS / SPR-VA

**CHARACTERISTICS:**

- Properties: highly watertight and dustproof
- friction-type locking of conduit and screw connector
- correct grounding
- covering of the conduit ends
- vibration- and tensionproof

**APPLICATIONS:**

- Application: machine and plant constructions / automotive / railway industry / shipbuilding / automation / electrical installations



FLEXA No.	OD [mm]	Thread type	Conduit ID	Conduit OD	Ø I [mm]	Ø B [mm]	C [mm]	D [mm]	WS [mm]	Weight [kg/100]	PU [pcs.]
15010527012	10,0	M12 x 1,5	8,0	10,0	6,5	19,0	8,0	32,0	17	2,800	25
15010527016	14,0	M16 x 1,5	11,0	14,0	10,0	23,0	8,0	36,0	21	3,600	25
15010527020	17,0	M20 x 1,5	14,0	17,0	12,5	27,0	8,0	38,0	25	5,900	25
15010527025	21,0	M25 x 1,5	18,0	21,0	16,5	31,0	10,0	45,0	29	10,000	25
15010527032	27,0	M32 x 1,5	23,0	27,0	21,5	39,0	10,0	57,0	36	13,100	10
15010527040	36,0	M40 x 1,5	31,0	36,0	29,5	48,0	10,0	67,0	45	20,700	10
15010527050	45,0	M50 x 1,5	40,0	45,0	38,0	57,0	12,0	84,0	54	26,900	10
15010527063	56,0	M63 x 1,5	51,0	56,0	48,0	70,0	12,0	84,0	66	32,400	2

Recommendations for any areas of applications, products, or product combinations are issued to the best of FLEXA's knowledge and experience. The user is requested to check applicability of FLEXA products to specific applications and purposes prior to the use of the particular products. All documentation, illustrations, and charts published are subject to copyright and must not be copied, changed, used, or modified. Technical drawings, certificates, authorizations, and results by the FLEXA lab will be provided upon request. FLEXA will not be held liable for typographical or other errors and incorrect drawings. Technical modifications are subject to change without prior notice.