

## USD-M | metric thread

## Connectors

EMC metal connector, straight, metric outer thread, incl. ferrule [brass] and O-Ring [NBR]

**Temperature:** -40°C ... +125°C

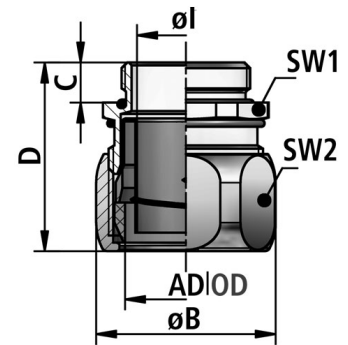
**Material:** nickel-plated brass

**IP class [acc. to EN 60529]:** IP 67

**for protective conduit:** FLEXAgraft-CU-PU

## CHARACTERISTICS:

- Properties: highly watertight and dust proof
- correct grounding
- covering of the conduit ends
- vibrationproof and tensionproof
- liquid tight
- emc connector due to longer pressure nut



## APPLICATIONS:

- Application: machine and plant constructions / automotive / shipbuilding / automation / electrical installations / EMC application



FLEXA No.	OD [mm]	Thread type	Conduit ID	Conduit OD	Ø I [mm]	Ø B [mm]	C [mm]	D [mm]	WS1 [mm]	WS2 [mm]	Weight [kg/100]	PU [pcs.]
15015327012	14,0	M12 x 1,5	11,0	15,0	9,0	23,0	10,0	33,0	19	21	2,800	10
15015328016	17,0	M16 x 1,5	13,0	18,0	11,5	27,0	10,0	33,0	23	25	3,800	10
15015328020	21,0	M20 x 1,5	17,0	22,0	15,5	31,0	10,0	33,0	27	29	5,000	10
15015340025	27,0	M25 x 1,5	23,0	28,0	20,5	39,0	11,0	42,0	34	36	9,100	10
15015328032	36,0	M32 x 1,5	29,0	37,0	27,5	48,0	13,0	47,0	43	45	10,800	2
15015328040	45,0	M40 x 1,5	38,0	46,0	35,0	57,0	13,0	47,0	52	54	18,600	2
15015328050	56,0	M50 x 1,5	49,0	57,0	45,0	70,0	14,0	52,0	63	66	23,400	2

Recommendations for any areas of applications, products, or product combinations are issued to the best of FLEXA's knowledge and experience. The user is requested to check applicability of FLEXA products to specific applications and purposes prior to the use of the particular products. All documentation, illustrations, and charts published are subject to copyright and must not be copied, changed, used, or modified. Technical drawings, certificates, authorizations, and results by the FLEXA lab will be provided upon request. FLEXA will not be held liable for typographical or other errors and incorrect drawings. Technical modifications are subject to change without prior notice.