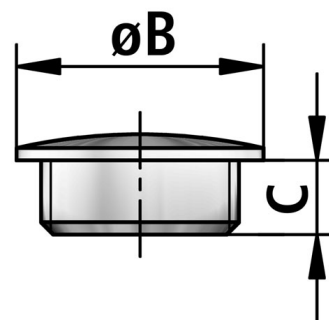


STM-P | PG thread

Accessories

Blind plug for PG threads



Temperature: -40°C ... +200°C

Material: nickel-plated brass

CHARACTERISTICS:

- Properties: high stability



FLEXA No.	Thread type	Colour	C [mm]	Ø B [mm]	Weight [kg/100]	PU [pcs.]
1055000007	PG7	Other	5,0	14,0	0,400	100
1055000009	PG9	Other	6,0	17,0	0,660	100
1055000011	PG11	Other	6,0	20,0	0,880	100
1055000013	PG13, 5	Other	6,5	22,0	1,100	100
1055000016	PG16	Other	6,5	24,0	1,290	100
1055000021	PG21	Other	7,0	30,0	2,100	100
1055000029	PG29	Other	8,0	39,0	4,160	50
1055000036	PG36	Other	9,0	50,0	8,040	25

Recommendations for any areas of applications, products, or product combinations are issued to the best of FLEXA's knowledge and experience. The user is requested to check applicability of FLEXA products to specific applications and purposes prior to the use of the particular products. All documentation, illustrations, and charts published are subject to copyright and must not be copied, changed, used, or modified. Technical drawings, certificates, authorizations, and results by the FLEXA lab will be provided upon request. FLEXA will not be held liable for typographical or other errors and incorrect drawings. Technical modifications are subject to change without prior notice.