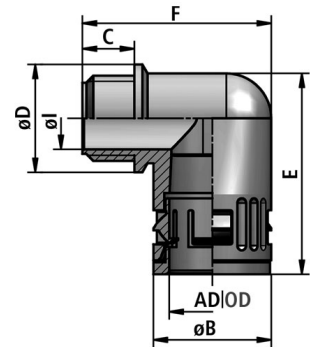


RQW1-P | PG thread

Connectors FLEXAquick for ROHRflex corrugated plastic tubings

Plastic connector, quick-type, elbow 90°, PG outer thread, integrated snap-in sleeve, conically sealed



Temperature: -40°C ... +120°C

Material: PA plastics

IP class [acc. to EN 60529]: IP 66

CHARACTERISTICS:

- Properties: resistant against oil and benzine
- widely resistant to acids and solvents
- free of silicone, cadmium, halogen

APPLICATIONS:

- Application: machine and plant constructions / automotive / automation / electrical installations



FLEXA No.	Colour	OD [mm]	Thread type	Ø I [mm]	Ø B [mm]	C [mm]	E [mm]	F [mm]	Ø D [mm]	Weight [kg/100]	PU [pcs.]
15020050207	Black	10,0	PG7	7,0	17,0	10,0	34,0	33,0	16,0	0,560	50
15020050209	Black	13,0	PG9	12,0	20,0	10,0	37,0	34,0	20,0	0,700	50
15020050211	Black	15,8	PG11	15,5	23,0	10,0	42,0	37,5	24,5	1,040	50
15020050213	Black	18,5	PG13,5	13,5	26,5	13,0	46,0	47,0	27,0	1,400	50
15020050216	Black	21,2	PG16	18,0	29,5	13,0	50,0	48,0	27,0	1,860	50
15020050221	Black	28,5	PG21	24,0	37,0	13,0	56,0	58,0	34,0	2,800	25
15020050229	Black	34,5	PG29	32,0	44,0	15,0	67,5	65,0	43,0	4,200	10
15020050236	Black	42,5	PG36	36,5	52,0	15,0	83,0	72,0	51,5	7,200	10
15020050248	Black	54,5	PG48	48,5	64,0	16,0	96,0	84,0	65,0	10,200	5
15020050007	Grey	10,0	PG7	7,0	17,0	10,0	34,0	33,0	16,0	0,560	50
15020050009	Grey	13,0	PG9	12,0	20,0	10,0	37,0	34,0	20,0	0,700	50
15020050011	Grey	15,8	PG11	15,5	23,0	10,0	42,0	37,5	24,5	1,040	50
15020050013	Grey	18,5	PG13,5	13,5	26,5	13,0	46,0	47,0	27,0	1,400	50
15020050016	Grey	21,2	PG16	18,0	29,5	13,0	50,0	48,0	27,0	1,860	50
15020050021	Grey	28,5	PG21	24,0	37,0	13,0	58,0	56,0	34,0	2,800	25
15020050029	Grey	34,5	PG29	32,0	44,0	15,0	67,5	65,0	43,0	4,200	10
15020050036	Grey	42,5	PG36	36,5	52,0	15,0	83,0	72,0	51,5	7,200	10
15020050048	Grey	54,5	PG48	48,5	64,0	16,0	96,0	84,0	65,0	10,200	5

Recommendations for any areas of applications, products, or product combinations are issued to the best of FLEXA's knowledge and experience. The user is requested to check applicability of FLEXA products to specific applications and purposes prior to the use of the particular products. All documentation, illustrations, and charts published are subject to copyright and must not be copied, changed, used, or modified. Technical drawings, certificates, authorizations, and results by the FLEXA lab will be provided upon request. FLEXA will not be held liable for typographical or other errors and incorrect drawings. Technical modifications are subject to change without prior notice.