

RQW1-N | NPT thread

Connectors FLEXAquick for ROHRflex corrugated plastic tubings

Plastic connector, quick-type, elbow 90°, NPT outer thread, integrated snap-in sleeve, conically sealed

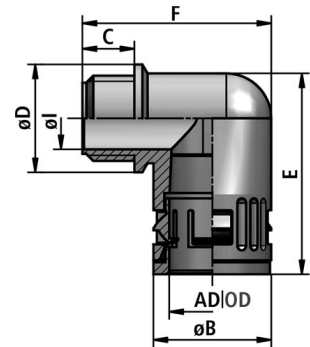
Temperature: -40°C ... +120°C

Material: PA plastics

IP class [acc. to EN 60529]: IP 66

CHARACTERISTICS:

- Properties: resistant against oil and benzine
- widely resistant to acids and solvents
- free of silicone, cadmium, halogen



APPLICATIONS:

- Application: machine and plant constructions / automotive / automation / electrical installations



FLEXA No.	Colour	OD [mm]	thread size NPT	Ø I [mm]	Ø B [mm]	C [mm]	E [mm]	F [mm]	Ø D [mm]	Weight [kg/100]	PU [pcs.]
15727015205	Black	15,8	NPT 1/2"	16,0	26,0	11,0	42,0	40,5	26,0	1,100	50
15727021205	Black	21,2	NPT 1/2"	16,0	29,5	13,0	51,0	48,5	27,0	1,600	50
15727028214	Black	28,5	NPT 3/4"	21,0	37,0	14,0	57,5	57,0	34,0	3,000	25
15727034210	Black	34,5	NPT 1"	28,0	44,0	16,0	67,5	66,0	43,0	4,650	10
15727042217	Black	42,5	NPT 1 1/4"	35,0	52,0	18,0	83,0	76,0	52,0	5,100	10
15727054209	Black	54,5	NPT 1 1/2"	41,0	64,0	18,0	95,0	87,0	64,5	11,870	5

Recommendations for any areas of applications, products, or product combinations are issued to the best of FLEXA's knowledge and experience. The user is requested to check applicability of FLEXA products to specific applications and purposes prior to the use of the particular products. All documentation, illustrations, and charts published are subject to copyright and must not be copied, changed, used, or modified. Technical drawings, certificates, authorizations, and results by the FLEXA lab will be provided upon request. FLEXA will not be held liable for typographical or other errors and incorrect drawings. Technical modifications are subject to change without prior notice.