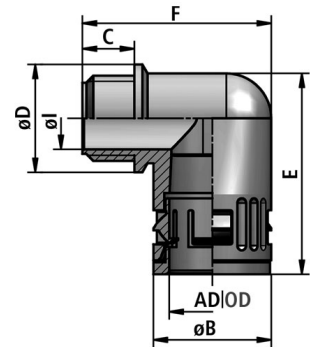


RQW1-M | metric thread

Connectors FLEXAquick for ROHRflex corrugated plastic tubings

Plastic connector, quick-type, elbow 90°, metric outer thread, integrated snap-in sleeve, conically sealed



Temperature: -40°C ... +120°C

Material: PA plastics

IP class [acc. to EN 60529]: IP 66

CHARACTERISTICS:

- Properties: resistant against oil and benzine
- widely resistant to acids and solvents
- free of silicone, cadmium, halogen

APPLICATIONS:

- Application: machine and plant constructions / automotive / automation / electrical installations



FLEXA No.	Colour	OD [mm]	Thread type	Ø I [mm]	Ø B [mm]	C [mm]	E [mm]	F [mm]	Ø D [mm]	Weight [kg/100]	PU [pcs.]
15020051210	Black	10,0	M10 x 1,0	6,0	17,0	12,0	33,5	34,5	16,0	0,570	50
15020051212	Black	13,0	M12 x 1,5	8,0	20,0	10,0	36,0	34,0	20,0	0,780	50
15020051216	Black	13,0	M16 x 1,5	12,0	20,0	12,0	36,0	36,5	20,0	0,720	50
15020051218	Black	15,8	M16 x 1,5	12,0	23,0	12,0	42,0	40,5	24,5	1,120	50
15020051220	Black	15,8	M20 x 1,5	15,5	23,0	13,0	42,0	41,5	24,5	1,100	50
15020051219	Black	18,5	M20 x 1,5	13,5	26,5	13,0	46,0	47,0	27,0	1,600	50
15020051222	Black	21,2	M20 x 1,5	14,8	29,5	13,0	50,0	49,0	27,0	2,020	50
15020051225	Black	21,2	M25 x 1,5	18,0	29,5	13,0	50,0	49,0	29,5	1,980	50
15020051228	Black	28,5	M25 x 1,5	18,0	37,0	13,0	57,0	57,0	34,0	3,080	25
15020051232	Black	28,5	M32 x 1,5	24,0	37,0	15,0	57,0	59,0	37,0	3,040	25
15020051234	Black	34,5	M32 x 1,5	24,0	44,0	15,0	67,5	65,0	43,0	4,900	10
15020051240	Black	34,5	M40 x 1,5	32,0	44,0	15,0	67,5	67,0	45,0	4,400	10
15020051242	Black	42,5	M40 x 1,5	33,0	52,0	15,0	81,0	72,0	51,5	7,300	10
15020051250	Black	42,5	M50 x 1,5	39,0	52,0	15,5	83,0	74,5	55,0	7,300	10
15020051254	Black	54,5	M50 x 1,5	39,0	64,0	15,0	94,0	84,0	64,0	12,100	5
15020051263	Black	54,5	M63 x 1,5	53,0	64,0	16,0	94,0	85,5	68,0	10,600	5
15020051010	Grey	10,0	M10 x 1,0	6,0	17,0	12,0	33,5	34,5	16,0	0,4570	50
15020051012	Grey	13,0	M12 x 1,5	8,0	20,0	10,0	36,0	34,0	20,0	0,780	50
15020051016	Grey	13,0	M16 x 1,5	12,0	20,0	12,0	36,0	36,5	20,0	0,720	50
15020051018	Grey	15,8	M16 x 1,5	12,0	23,0	12,0	42,0	40,5	24,5	1,120	50
15020051020	Grey	15,8	M20 x 1,5	15,5	23,0	13,0	42,0	41,5	24,5	1,100	50



FLEXA No.	Colour	OD [mm]	Thread type	Ø I [mm]	Ø B [mm]	C [mm]	E [mm]	F [mm]	Ø D [mm]	Weight [kg/100]	PU [pcs.]
15020051019	Grey	18,5	M20 x 1,5	13,5	26,5	13,0	46,0	47,0	27,0	1,600	50
15020051022	Grey	21,2	M20 x 1,5	14,8	29,5	13,0	50,0	49,0	27,0	2,020	50
15020051025	Grey	21,2	M25 x 1,5	18,0	29,5	13,0	50,0	49,0	29,5	1,980	50
15020051028	Grey	28,5	M25 x 1,5	18,0	37,0	13,0	57,0	57,0	34,0	3,080	25
15020051032	Grey	28,5	M32 x 1,5	24,0	37,0	15,0	57,0	59,0	37,0	3,040	25
15020051034	Grey	34,5	M32 x 1,5	24,0	44,0	15,0	67,5	65,0	43,0	4,900	10
15020051040	Grey	34,5	M40 x 1,5	32,0	44,0	15,0	67,5	67,0	45,0	4,400	10
15020051042	Grey	42,5	M40 x 1,5	33,0	52,0	15,0	81,0	72,0	51,5	7,300	10
15020051050	Grey	42,5	M50 x 1,5	39,0	52,0	15,5	83,0	74,5	55,0	7,300	10
15020051054	Grey	54,5	M50 x 1,5	39,0	64,0	15,0	94,0	84,0	64,0	11,200	5
15020051063	Grey	54,5	M63 x 1,5	53,0	64,0	16,0	94,0	85,5	68,0	10,600	5
15020751212	Black	13,0	M12 x 1,5	8,0	20,0	10,0	36,0	34,0	20,0	0,780	10
15020751216	Black	20,0	M16 x 1,5	12,0	20,0	12,0	36,0	36,5	20,0	0,720	10
15020751220	Black	15,8	M20 x 1,5	15,5	23,0	13,0	42,0	41,5	24,5	1,100	10
15020751225	Black	21,2	M25 x 1,5	18,0	29,5	13,0	50,0	49,0	29,5	1,980	10
15020751232	Black	28,5	M32 x 1,5	24,0	37,0	15,0	57,0	59,0	37,0	3,040	10
15020751240	Black	34,5	M40 x 1,5	32,0	44,0	15,0	67,5	67,0	45,0	4,400	2
15020751250	Black	42,5	M50 x 1,5	39,0	52,0	15,5	83,0	74,5	55,0	7,300	2
15020751263	Black	54,5	M63 x 1,5	53,0	64,0	16,0	94,0	85,5	68,0	10,600	2



Recommendations for any areas of applications, products, or product combinations are issued to the best of FLEXA's knowledge and experience. The user is requested to check applicability of FLEXA products to specific applications and purposes prior to the use of the particular products. All documentation, illustrations, and charts published are subject to copyright and must not be copied, changed, used, or modified. Technical drawings, certificates, authorizations, and results by the FLEXA lab will be provided upon request. FLEXA will not be held liable for typographical or other errors and incorrect drawings. Technical modifications are subject to change without prior notice.