

## RQB1 45 M | metric thread

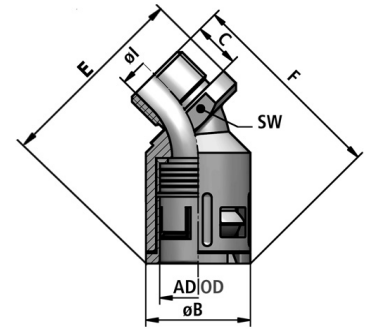
## Connectors FLEXAquick for ROHRflex corrugated plastic tubings

Plastic connector, quick-type, bend 45°, metric outer thread, integrated snap-in sleeve, conically sealed

Temperature: -40°C ... +120°C

Material: PA plastics

IP class [acc. to EN 60529]: IP 66



## APPLICATIONS:

- Application: machine and plant constructions / automotive / automation / electrical installations



FLEXA No.	Colour	OD [mm]	Thread type	Ø I [mm]	Ø B [mm]	C [mm]	E [mm]	F [mm]	WS [mm]	Weight [kg/100]	PU [pcs.]
151010212	Black	10,0	M12 x 1,5	6,5	17,0	10,0	39,0	45,0	18	0,800	50
1510103216	Black	13,0	M16 x 1,5	8,5	20,0	12,0	42,5	48,0	21	0,900	50
1510105220	Black	15,8	M20 x 1,5	10,0	23,0	12,0	44,5	52,5	26	1,100	50
15101021220	Black	21,2	M20 x 1,5	13,0	29,5	12,0	55,0	60,0	26	1,800	50
15101021225	Black	21,2	M25 x 1,5	14,5	29,5	13,0	56,0	60,0	26	2,000	50
15101028225	Black	28,5	M25 x 1,5	17,0	37,0	13,0	64,0	72,0	32	2,700	25
15101028232	Black	28,5	M32 x 1,5	20,0	37,0	14,0	64,0	75,0	36	3,600	25
15101034232	Black	34,5	M32 x 1,5	23,0	44,0	14,0	73,5	79,0	39	3,800	10
15101034240	Black	34,5	M40 x 1,5	29,0	44,0	14,0	73,5	77,0	45	4,100	10
15101042240	Black	42,5	M40 x 1,5	31,5	52,0	17,0	82,5	86,0	48	5,300	10
15101042250	Black	42,5	M50 x 1,5	36,0	52,0	17,0	82,5	86,0	58	6,500	10
15101054250	Black	54,5	M50 x 1,5	35,5	64,0	17,0	92,0	95,0	58	9,200	5
15101054263	Black	54,5	M63 x 1,5	45,5	64,0	17,0	97,0	100,0	69	9,400	5
15101013016	Grey	13,0	M16 x 1,5	8,5	20,0	12,0	42,5	48,0	21	0,900	50
15101015020	Grey	15,8	M20 x 1,5	10,0	23,0	12,0	44,5	52,5	24	1,100	50
15101021020	Grey	21,2	M20 x 1,5	13,0	29,5	12,0	55,0	60,0	26	1,800	50
15101021025	Grey	21,2	M25 x 1,5	14,5	29,5	13,0	56,0	60,0	26	2,000	50
15101028025	Grey	28,5	M25 x 1,5	17,0	37,0	13,0	64,0	72,0	32	2,700	25
15101028032	Grey	28,5	M32 x 1,5	20,0	37,0	14,0	64,0	75,0	36	3,600	25
15101034032	Grey	34,5	M32 x 1,5	23,0	44,0	14,0	73,5	76,0	39	3,800	10
15101034040	Grey	34,5	M40 x 1,5	29,0	44,0	14,0	73,5	77,0	45	4,100	10



FLEXA No.	Colour	OD [mm]	Thread type	Ø I [mm]	Ø B [mm]	C [mm]	E [mm]	F [mm]	WS [mm]	Weight [kg/100]	PU [pcs.]
15101042040	Grey	42,5	M40 x 1,5	31,5	52,0	17,0	82,5	86,0	48	5,300	10
15101042050	Grey	42,5	M50 x 1,5	36,0	52,0	17,0	82,5	86,0	58	6,500	10
15101054050	Grey	54,5	M50 x 1,5	35,5	64,0	17,0	92,0	95,0	58	9,200	5
15101054063	Grey	54,5	M63 x 1,5	45,5	64,0	17,0	97,0	100,0	69	9,400	5



Recommendations for any areas of applications, products, or product combinations are issued to the best of FLEXA's knowledge and experience. The user is requested to check applicability of FLEXA products to specific applications and purposes prior to the use of the particular products. All documentation, illustrations, and charts published are subject to copyright and must not be copied, changed, used, or modified. Technical drawings, certificates, authorizations, and results by the FLEXA lab will be provided upon request. FLEXA will not be held liable for typographical or other errors and incorrect drawings. Technical modifications are subject to change without prior notice.