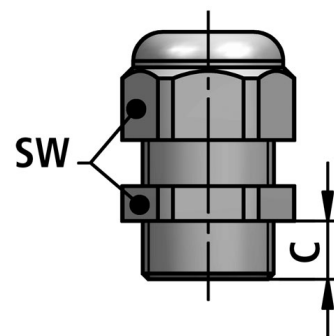


KSK-M | metric thread

Accessories

Cable gland with metric thread



Temperature:	-20°C ... +100°C ^ +130°C
--------------	---------------------------

Material:	polyamide
-----------	-----------

IP class [acc. to EN 60529]:	IP 68
------------------------------	-------

CHARACTERISTICS:

- Properties: resistant against light acids and soft lyes
- resistant against sea water, benzine and mineral oil



FLEXA No.	Outer thread	Colour	cable-Clamp.range [mm]	C [mm]	WS [mm]	Weight [kg/100]	PU [pcs.]
10321001212	M12x1,5	Black	3-6,0	8,0	15	0,330	100
10321001216	M16x1,5	Black	5-10,0	8,0	20	0,650	100
10321001220	M20x1,5	Black	8-13,0	8,0	24	0,870	100
10321001225	M25x1,5	Black	11-17,0	8,0	29	1,560	50
10321001232	M32x1,5	Black	15-21,0	10,0	36	2,560	25
10321001240	M40x1,5	Black	19-28,0	10,0	46	4,400	10
10321001250	M50x1,5	Black	27-35,0	12,0	55	6,800	5
10321001263	M63x1,5	Black	35-42,0	12,0	68	10,800	5
10321001012	M12x1,5	Grey	3-6,0	8,0	15	0,330	100
10321001016	M16x1,5	Grey	5-10,0	8,0	20	0,650	100
10321001020	M20x1,5	Grey	8-13,0	8,0	24	0,870	100
10321001025	M25x1,5	Grey	11-17,0	8,0	29	1,560	50
10321001032	M32x1,5	Grey	15-21,0	10,0	36	2,560	25
10321001040	M40x1,5	Grey	19-28,0	10,0	46	4,400	10
10321001050	M50x1,5	Grey	27-35,0	12,0	55	6,800	5
10321001063	M63x1,5	Grey	35-42,0	12,0	68	10,800	5

Recommendations for any areas of applications, products, or product combinations are issued to the best of FLEXA's knowledge and experience. The user is requested to check applicability of FLEXA products to specific applications and purposes prior to the use of the particular products. All documentation, illustrations, and charts published are subject to copyright and must not be copied, changed, used, or modified. Technical drawings, certificates, authorizations, and results by the FLEXA lab will be provided upon request. FLEXA will not be held liable for typographical or other errors and incorrect drawings. Technical modifications are subject to change without prior notice.