

GM-M | for metric threads

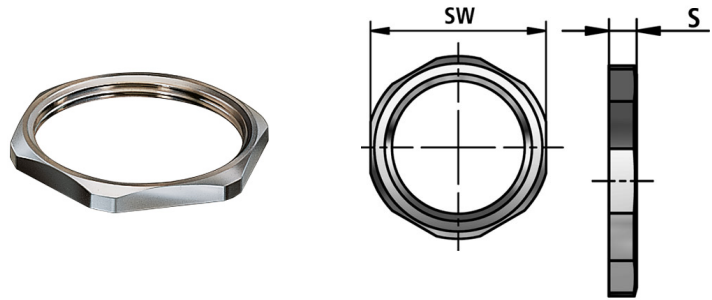
Accessories

Counternut especially for metric metal threads

Temperature: -40 °C ... +200°C

Material: nickel-plated brass

for protective conduit: Counternut,



APPLICATIONS:

- Application: Counternut especially for metal threads



FLEXA No.	Thread type	Colour	S [mm]	WS [mm]	Weight [kg/100]	PU [pcs.]
10531000010	M 10 x 1,0	Other	2,8	14	0,110	100
10531000012	M 12 x 1,5	Other	2,8	15	0,220	100
10531000016	M 16 x 1,5	Other	2,8	19	0,300	100
10531000020	M 20 x 1,5	Other	3,0	24	0,510	100
10531000025	M 25 x 1,5	Other	3,5	30	0,910	100
10531000032	M 32 x 1,5	Other	4,0	36	1,080	100
10531000040	M 40 x 1,5	Other	5,0	46	2,420	50
10531000050	M 50 x 1,5	Other	5,0	60	4,820	50
10531000063	M 63 x 1,5	Other	6,0	70	5,560	50

Recommendations for any areas of applications, products, or product combinations are issued to the best of FLEXA's knowledge and experience. The user is requested to check applicability of FLEXA products to specific applications and purposes prior to the use of the particular products. All documentation, illustrations, and charts published are subject to copyright and must not be copied, changed, used, or modified. Technical drawings, certificates, authorizations, and results by the FLEXA lab will be provided upon request. FLEXA will not be held liable for typographical or other errors and incorrect drawings. Technical modifications are subject to change without prior notice.