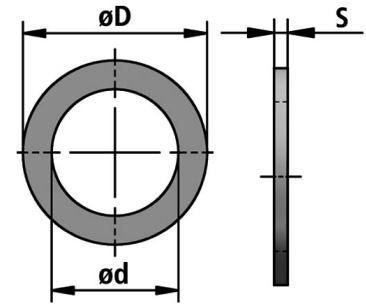


FRH-N | C | for NPT | CTG threads

Accessories

Flat-sealing for NPT | CTG threads, especially for protective rate IP 68 and high mechanical stresses



Temperature: -50°C ... +200°C

Material: centellen

CHARACTERISTICS:

- Properties: resistant against oil
- protection against water and dust
- UV resistant
- free of halogen
- high mechanical stresses



FLEXA No.	Thread type	ø d [mm]	ø D [mm]	S [mm]	Weight [kg/100]	PU [pcs.]
10331001002	1/4 inch	13,2	20,0	2,0	0,030	50
10331001003	3/8"	16,7	22,0	2,0	0,064	50
10331001004	1/2 inch	21,0	28,0	2,0	0,080	50
10331001006	3/4 inch	26,5	34,0	2,0	0,130	25
10331001005	1 inch	33,0	42,0	2,0	0,190	25
10331001008	1 1/4 inch	41,9	53,0	2,0	0,240	25
10331001014	1 1/2 inch	47,8	62,0	2,0	0,250	25
10331001018	2 inch	59,6	69,0	2,0	0,260	10

Recommendations for any areas of applications, products, or product combinations are issued to the best of FLEXA's knowledge and experience. The user is requested to check applicability of FLEXA products to specific applications and purposes prior to the use of the particular products. All documentation, illustrations, and charts published are subject to copyright and must not be copied, changed, used, or modified. Technical drawings, certificates, authorizations, and results by the FLEXA lab will be provided upon request. FLEXA will not be held liable for typographical or other errors and incorrect drawings. Technical modifications are subject to change without prior notice.