

## FRH-M | for metric threads

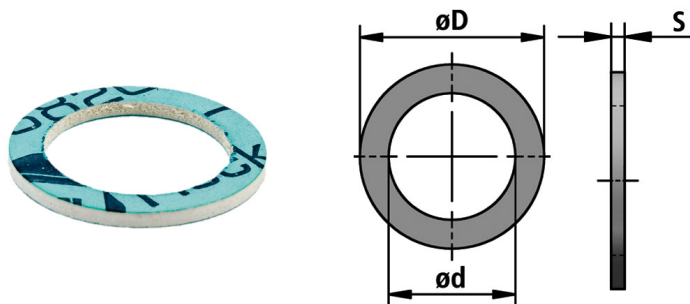
## Accessories

Flat-sealing for metric threads, especially for protective rate IP 68 and high mechanical stresses

Temperature: -50°C ... +200°C

## CHARACTERISTICS:

- Properties: resistant against oil
- protection against water and dust
- UV resistant
- free of halogen
- high mechanical stresses



FLEXA No.	Thread type	ø d [mm]	ø D [mm]	S [mm]	Weight [kg/100]	PU [pcs.]
10333001010	M10	10,5	16,0	1,5	0,031	50
10333001012	M12	12,5	20,0	1,5	0,052	50
10333001016	M16	16,5	24,0	2,0	0,086	50
10333001020	M20	20,5	29,0	2,0	0,119	50
10333001025	M25	25,5	34,0	2,0	0,143	50
10333001032	M32	32,5	40,0	2,0	0,154	25
10333001040	M40	40,5	50,0	2,0	0,243	25
10333001050	M50	50,5	60,0	3,0	0,445	25
10333001063	M63	63,5	70,0	3,0	0,368	10

Recommendations for any areas of applications, products, or product combinations are issued to the best of FLEXA's knowledge and experience. The user is requested to check applicability of FLEXA products to specific applications and purposes prior to the use of the particular products. All documentation, illustrations, and charts published are subject to copyright and must not be copied, changed, used, or modified. Technical drawings, certificates, authorizations, and results by the FLEXA lab will be provided upon request. FLEXA will not be held liable for typographical or other errors and incorrect drawings. Technical modifications are subject to change without prior notice.