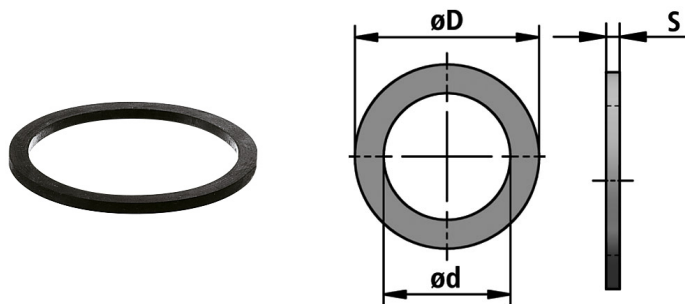


FR-P | for PG threads

Accessories

Flat-sealing for PG threads, resistant against oil, protection against water and dust



Temperature: -20°C ... +120°C

Material: perbunan

CHARACTERISTICS:

- Properties: resistant against oil
- protection against water and dust



FLEXA No.	Thread type	ø d [mm]	ø D [mm]	S [mm]	Weight [kg/100]	PU [pcs.]
10331000007	PG7	11,5	16,0	2,0	0,024	50
10331000009	PG9	14,0	20,0	2,0	0,040	50
10331000011	PG11	18,5	22,5	2,0	0,032	50
10331000013	PG13, 5	19,0	25,0	2,0	0,052	50
10331000016	PG16	21,0	27,0	2,0	0,057	50
10331000021	PG21	27,0	34,0	2,5	0,105	25
10331000029	PG29	35,0	43,0	2,5	0,153	25
10331000036	PG36	45,0	54,0	2,5	0,219	25
10331000048	PG48	57,5	68,0	3,0	0,388	10

Recommendations for any areas of applications, products, or product combinations are issued to the best of FLEXA's knowledge and experience. The user is requested to check applicability of FLEXA products to specific applications and purposes prior to the use of the particular products. All documentation, illustrations, and charts published are subject to copyright and must not be copied, changed, used, or modified. Technical drawings, certificates, authorizations, and results by the FLEXA lab will be provided upon request. FLEXA will not be held liable for typographical or other errors and incorrect drawings. Technical modifications are subject to change without prior notice.