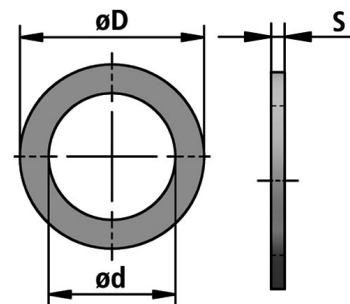


FR-N | C | for NPT | CTG threads

Accessories

Flat-sealing for metric NPT | CTG threads, resistant against oil, protection against water and dust



Temperature: -20°C ... +120°C

Material: perbunan

CHARACTERISTICS:

- Properties: resistant against oil
- protection against water and dust



FLEXA No.	Thread type	ø d [mm]	ø D [mm]	S [mm]	Weight [kg/100]	PU [pcs.]
10331000002	1/4 inch	14,0	17,0	1,5	0,026	50
10331000011	PG11	18,5	22,5	2,0	0,032	50
10331000016	PG16	21,0	27,0	2,0	0,057	50
10331000021	PG21	27,0	34,0	2,5	0,105	25
10331000045		34,0	43,0	2,0	0,164	25
10331000008	1 1/4 inch	42,5	51,0	3,0	0,280	25
10331000014	1 1/2 inch	48,5	55,0	3,0	0,200	25
10331000018	2 inch	60,5	66,0	3,0	0,320	10

Recommendations for any areas of applications, products, or product combinations are issued to the best of FLEXA's knowledge and experience. The user is requested to check applicability of FLEXA products to specific applications and purposes prior to the use of the particular products. All documentation, illustrations, and charts published are subject to copyright and must not be copied, changed, used, or modified. Technical drawings, certificates, authorizations, and results by the FLEXA lab will be provided upon request. FLEXA will not be held liable for typographical or other errors and incorrect drawings. Technical modifications are subject to change without prior notice.