

FR-M | for metric threads

Accessories

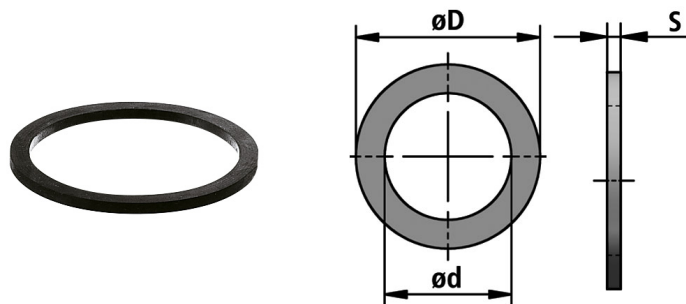
Flat-sealing for metric threads, resistant against oil, protection against water and dust

Temperature: -20°C ... +120°C

Material: perbunan

CHARACTERISTICS:

- Properties: resistant against oil
- protection against water and dust



FLEXA No.	Thread type	ø d [mm]	ø D [mm]	S [mm]	Weight [kg/100]	PU [pcs.]
10333000010	M10	10,0	17,0	1,5	0,028	50
10333000012	M12	12,0	20,0	1,5	0,038	50
10333000016	M16	16,0	23,0	2,0	0,054	50
10333000020	M20	20,0	29,0	2,0	0,087	50
10333000025	M25	25,0	37,0	2,0	0,146	50
10333000032	M32	32,0	44,0	2,0	0,179	25
10333000040	M40	40,0	52,0	2,0	0,217	25
10333000050	M50	50,0	64,0	2,5	0,392	25
10331000018	2 inch	60,5	66,0	3,0	0,320	10

Recommendations for any areas of applications, products, or product combinations are issued to the best of FLEXA's knowledge and experience. The user is requested to check applicability of FLEXA products to specific applications and purposes prior to the use of the particular products. All documentation, illustrations, and charts published are subject to copyright and must not be copied, changed, used, or modified. Technical drawings, certificates, authorizations, and results by the FLEXA lab will be provided upon request. FLEXA will not be held liable for typographical or other errors and incorrect drawings. Technical modifications are subject to change without prior notice.